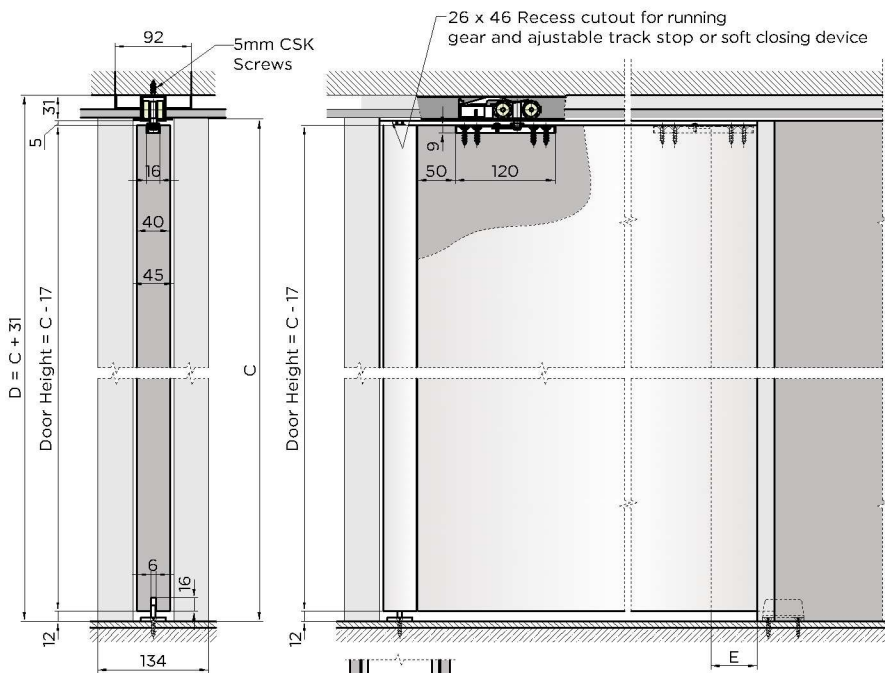
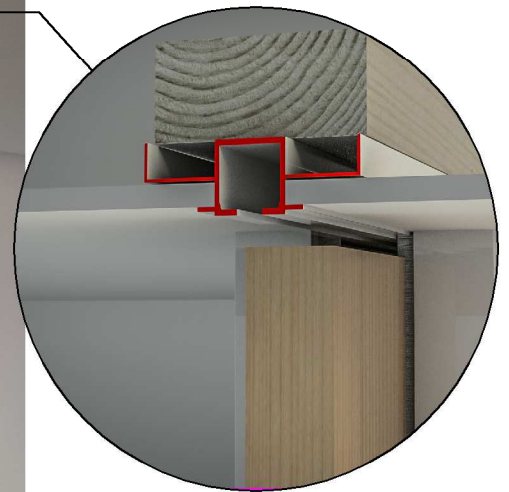


# 90° Bi-Parting Cavity Slider - Timber Doors

Flush Setting Track With Slimline Architrave

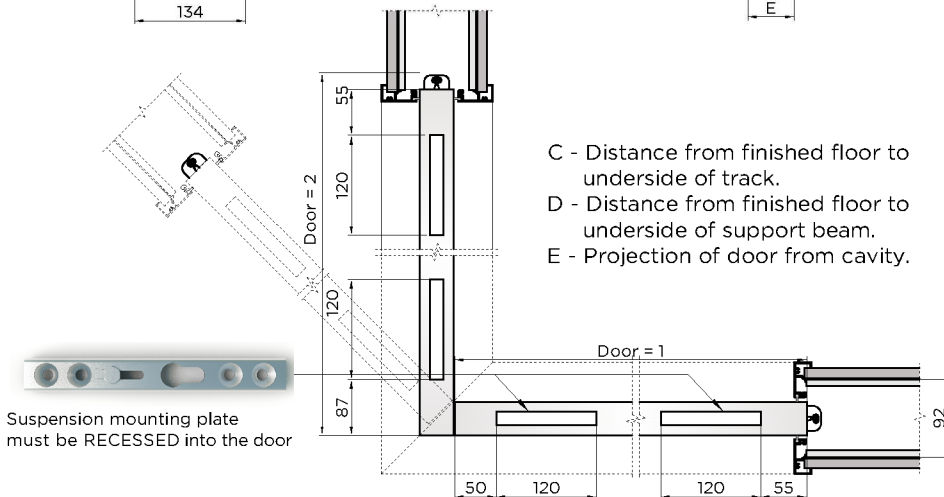


Tornex offers the ultimate sliding door system, manufactured to the highest quality standards and utilizing a premium nylon sealed ball bearing system to ensure quiet and smooth running action.

With a contemporary aesthetic design that simply looks sensational, Tornex cavity sliders provide a functional, space saving solution to cater for almost every application and design preference.

## Key Features

- Custom made, pre-assembled for quick and easy installation.
- Full aluminium frames of solid design, corrosion resistant, ideal for wet areas and both domestic and commercial applications.
- Slim line top track (31mm) – minimal installation height – flush ceiling setting
- Plasterboard (10 or 13mm) fits neatly behind architrave trims.
- Nylon brushes, available in black or light grey to compliment finish colour scheme.
- Premium nylon sealed ball bearing rollers ensure smooth and quiet running action, suitable for coastal applications.
- Sliding door hardware is pre-installed and pre-set.
- Options: Full ceiling height, soft closing, Square set.



C - Distance from finished floor to underside of track.  
D - Distance from finished floor to underside of support beam.  
E - Projection of door from cavity.