

PO Box 4403
 Eight Mile Plains
 QLD 4113
 Ph: +61 (07) 3341 7777
 Fax: +61(07) 3341 7775
info@tornex.com.au
www.tornex.com.au

Aluminium Cavity Slider – suit Timber panels

Data Sheet TDD 0806 - 04

Technical Data

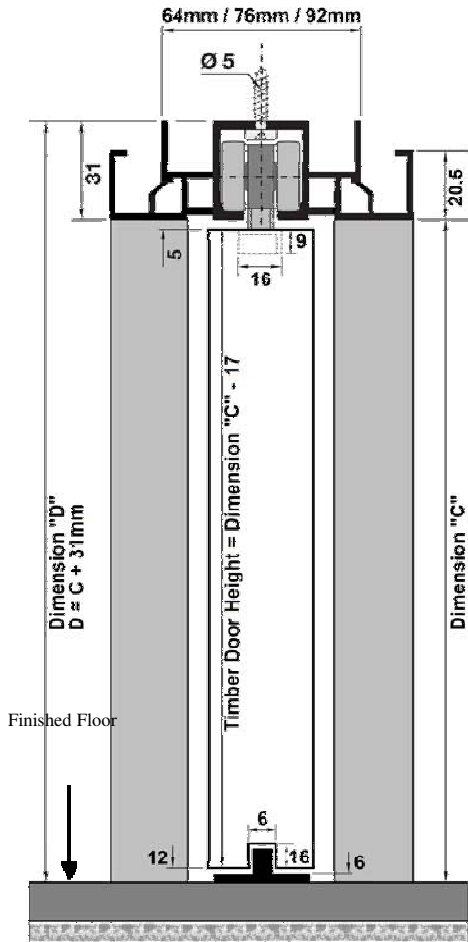
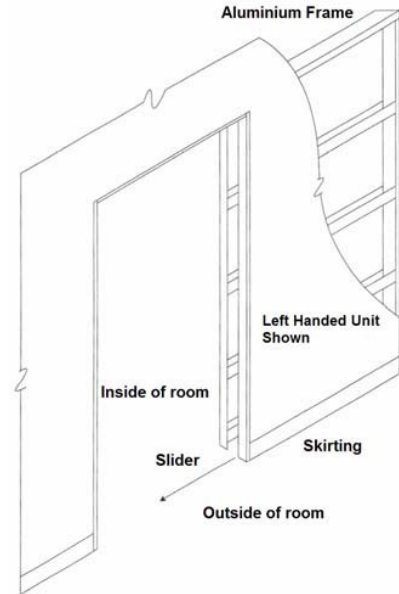
Max weight per door leaf 100kg
 Suit 64mm & 92mm metal studs & 90 mm timber
 Suit 10mm or 13mm plasterboard

Finishes

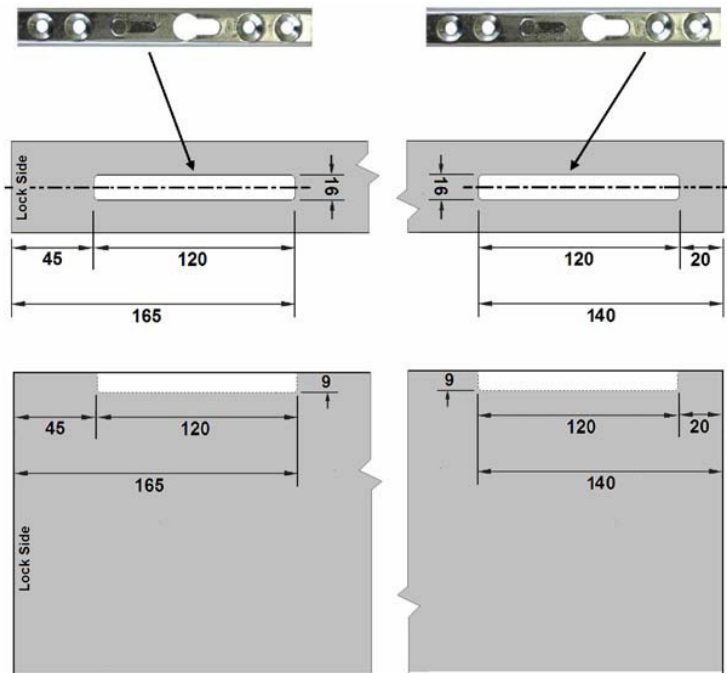
Clear anodised trims as standard

Features

Unit supplied ready to install
 No pelmets
 Option of single or bi-parting units
 Available as automatic doors



Mounting brackets MUST be recessed into doors as shown.



Dimensional data not binding. We reserve the right to alter specifications without notice.

Issued October 2008 – Copyright TORNEX. All rights reserved.